

SCREW-IN
RETROFITS



SUPERFLEX BOLLARD/POST TOPS



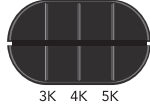
top LED's



← SUPERflex

switch
between
wattages
& color
temps

35W 45W 60W



3K 4K 5K



- LED-8029: switch between 12W, 18W & 24W replacing up to 150W HID.
- LED-8024: switch between 35W, 45W & 60W replacing up to 320W HID.
- LED-8027: switch between 80W, 100W & 110W replacing up to 400W HID.
- Change color temperatures with a flip of a switch (3000K, 4000K, 5000K).
- Multi-directional mounting capability & 360° design. Use base down, base up or base sideways without affecting performance.
- Pretested & potted drivers are burnt in 3x prior to shipping and protected against vibration & moisture.
- Lamps dim to 50-70% by adjusting the wattage switch on the side of the lamp only.
- Field adjustable light output.



**120/
277V**
ALSO WORKS
ON 208V & 240V

ULTYPE B
BALLAST
BYPASS
INSTALL
METHOD

MEDIUM +
MOGUL BASE

ACTIVE
COOLING

DIMMABLE

OPERATING
TEMP
-40°F TO 122°F

L70
50,000hrs
RATED LIFE

6kA
SURGE
PROTECTION

80+
CRI

PART #	UPC	REPLACES	WATTAGE	LUMENS	FLEXCOLOR	BASE
LED-8029E345-A-FW	84400606067	70W-100W-150W	12W-18W-24W	1550-3360	3000K/4000K/5000K	E26
LED-8029M345-A-FW	84400606068	70W-100W-150W	12W-18W-24W	1550-3360	3000K/4000K/5000K	EX39
LED-8024E345-G7-FW	844006060718	175W-250W-320W	35W-45W-60W	5140-8870	3000K/4000K/5000K	E26
LED-8024M345-G7-FW	844006060725	175W-250W-320W	35W-45W-60W	5140-8870	3000K/4000K/5000K	EX39
LED-8027M345-G7-FW	844006060756	320W-400W	80W-100W-110W	11370-15730	3000K/4000K/5000K	EX39
LED-8027M345-G7-FW-HV*	844006077129	320W-400W	80W-100W-110W	11370-15730	3000K/4000K/5000K	EX39

* 8027-HV runs on 277-480V

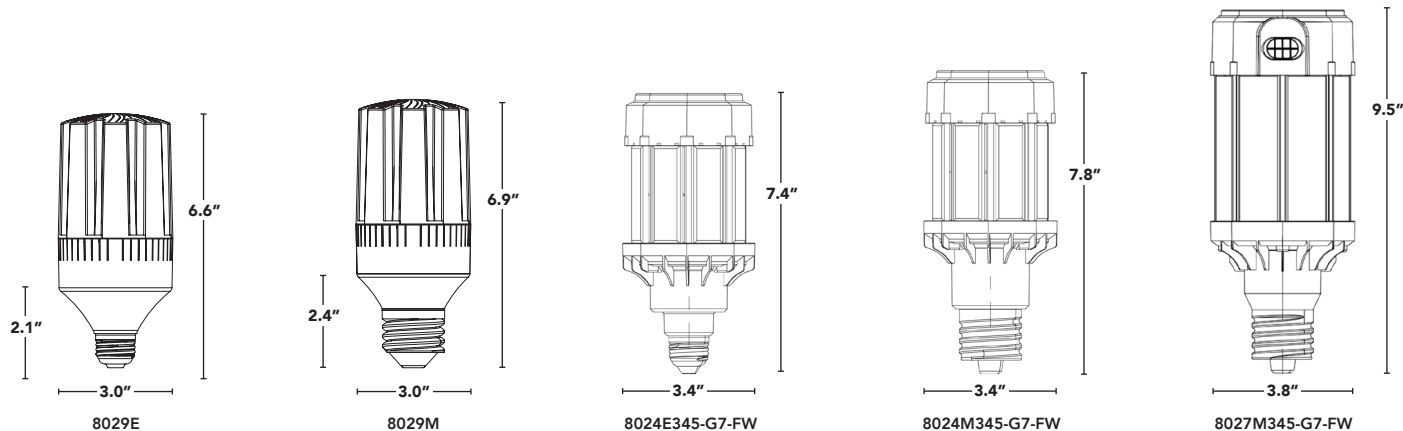


Available from Major Electronix | sales@majorelectronix.com |
800-966-2345 | www.productsforautomation.com

01.27.23 Information is subject to change without notice.



SUPERFLEX BOLLARD/POST TOPS



PART #	UPC	REPLACES	WATTAGE	LUMENS	FLEXCOLOR	BASE	DLC CODES
LED-8029E345-A-FW	84400606067	70W-100W-150W	12W-18W-24W	1550-3360	3000K/4000K/5000K	E26	N/A
LED-8029M345-A-FW	84400606068	70W-100W-150W	12W-18W-24W	1550-3360	3000K/4000K/5000K	EX39	PVPFGTKS
LED-8024E345-G7-FW	844006060718	175W-250W-320W	35W-45W-60W	5140-8870	3000K/4000K/5000K	E26	N/A
LED-8024M345-G7-FW	844006060725	175W-250W-320W	35W-45W-60W	5140-8870	3000K/4000K/5000K	EX39	PE8R4NVO
LED-8027M345-G7-FW	844006060756	320W-400W	80W-100W-110W	11370-15730	3000K/4000K/5000K	EX39	PMXF5D5C
LED-8027M345-G7-FW-HV*	844006077129	320W-400W	80W-100W-110W	11370-15730	3000K/4000K/5000K	EX39	S-IESFDP

* 8027-HV runs on 277-480V

🇨🇦 347 VOLT OPTIONS FOR CANADA 🇨🇦

PART #	UPC	REPLACES	WATTAGE	LUMENS	FLEXCOLOR	BASE	DLC CODES
LED-8029E345C-A-FW	84400606069	70W-100W-150W	12W-18W-24W	1550-3360	3000K/4000K/5000K	E26	N/A
LED-8029M345C-A-FW	84400606070	70W-100W-150W	12W-18W-24W	1550-3360	3000K/4000K/5000K	EX39	P55Z8FTK
LED-8024E345C-G7-FW	844006060732	175W-250W-320W	35W-45W-60W	5140-8870	3000K/4000K/5000K	E26	N/A
LED-8024M345C-G7-FW	844006060749	175W-250W-320W	35W-45W-60W	5140-8870	3000K/4000K/5000K	EX39	P17WDCCW
LED-8027M345C-G7-FW	844006060763	320W-400W	80W-100W-110W	11370-15730	3000K/4000K/5000K	EX39	POIALL6T

LED-8029

WATTAGE	CCT	LUMENS
12W	3000K	1550
12W	4000K	1610
12W	5000K	1650
18W	3000K	2450
18W	4000K	2560
18W	5000K	2610
24W	3000K	3170
24W	4000K	3330
24W	5000K	3360

LED-8024

WATTAGE	CCT	LUMENS
35W	3000K	5140
35W	4000K	5290
35W	5000K	5360
45W	3000K	6200
45W	4000K	6510
45W	5000K	6620
60W	3000K	8440
60W	4000K	8790
60W	5000K	8870

LED-8027

WATTAGE	CCT	LUMENS
80W	3000K	10780
80W	4000K	11290
80W	5000K	11370
100W	3000K	13800
100W	4000K	14270
100W	5000K	14350
110W	3000K	15080
110W	4000K	15690
110W	5000K	15730