



**all-in-one  
Design** ↓



The Solera Solar Lighting Area Light features an all-in-one design. The solar panel, light engine and battery are built right into the LED fixture. No need for a power source, which eliminates the need for wiring and trenching.

- ▶ Perfect for parks, parking lots, school campuses, etc.
- ▶ New MPPT Solar Charge Controller optimizes charging under all conditions.
- ▶ Advanced new LiFePO4 battery lasts at least 2000 charge cycles and will last three nights with one day charge (motion sensing mode)
- ▶ 8W comparable to 70W HID
- ▶ 30W comparable to 250W HID
- ▶ Easily programmable via remote control.
- ▶ Built-in motion sensor and photo control.
- ▶ Built-in status indicator.



BATTERY  
CHARGE TIME



BATTERY  
CHARGE TEMP



BATTERY  
LIFE



REPLACEABLE  
BATTERY



TYPE III  
OPTICS



-4°F TO 122°F

OPERATING TEMP



100,000hrs  
RATED LIFE

PART #	UPC	COMPARABLE TO	LUMENS	CCT	EPA	FINISH	DIMENSIONS
RP-SAL-8W-50K-SF-GY-G2	844006080150	70W HID	1600	5000K	1.824	GREY	20 x 12 x 3 in.
RP-SAL-30W-50K-SF-GY-G2	844006080235	250W HID	6000		4.788		36 x 16.75 x 3.75 in.
RP-SAL-8W-50K-SF-DB-G2	844006088545	70W HID	1600		1.824	DARK BRONZE	20 x 12 x 3 in.
RP-SAL-30W-50K-SF-DB-G2	844006088552	250W HID	6000		4.788		36 x 16.75 x 3.75 in.

OPERATING MODES  TIMER  MOTION SENSING





PART NUMBER BUILDER

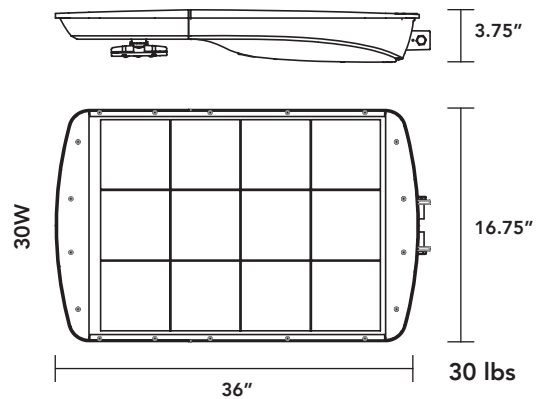
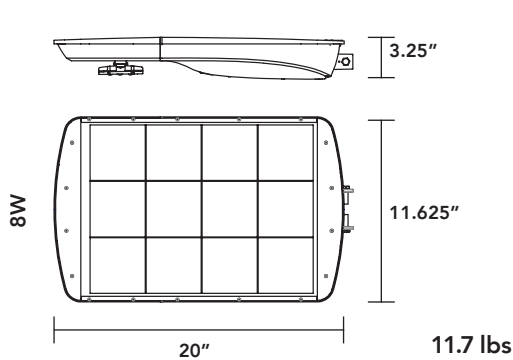
MFR	PRODUCT	WATTAGE	COLOR TEMP	BRACKET	FINISH	GENERATION
RP	SAL			SF		G2
(REMPHOS)	(SOLAR AREA LIGHT)	8W 20W	30K 50K 40K AMB	SF = ADJUSTABLE SLIP FITTER BRACKET	GY (GREY) DB (DARK BRONZE)	(GENERATION 2)

EXAMPLE PART NUMBER RP-SAL-8W-50K-SF-GY-G2

PLEASE NOTE, THE RP-SAL COMES STANDARD WITH THE ADJUSTABLE SLIP-FITTER BRACKET ONLY. SEE ORDERING GUIDE FOR ADDITIONAL BRACKETS AVAILABLE FOR PURCHASE.

ORDERING GUIDE - CASE QT = 1

PART #	UPC	QUICK SHIP	LUMENS	WATTAGE	LPW	RECCOMENDED MOUNTING HEIGHT
RP-SAL-8W-30K-SF-GY-G2	844006080266		1600	8	200	15FT
RP-SAL-8W-40K-SF-GY-G2	844006080280		1600	8	200	15FT
RP-SAL-8W-50K-SF-GY-G2	844006080150	✓	1600	8	200	15FT
RP-SAL-30W-30K-SF-GY-G2	844006080327		6000	30	200	20FT
RP-SAL-30W-40K-SF-GY-G2	844006080334		6000	30	200	20FT
RP-SAL-30W-50K-SF-GY-G2	844006080235	✓	6000	30	200	20FT
RP-SAL-8W-AMB-SF-GY-G2	844006080310		284	AMB		15FT
RP-SAL-30W-AMB-SF-GY-G2	844006080358		806	AMB		20FT
RP-SAL-8W-50K-SF-DB-G2	844006088545	✓	1600	8	200	15FT
RP-SAL-30W-50K-SF-DB-G2	844006088552	✓	6000	30	200	20FT





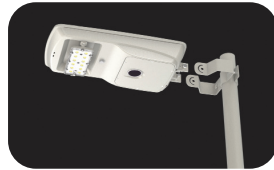
SOLAR AREA LIGHT ACCESSORIES - CAN BE USED WITH G1 & G2 RP-SAL

PART #	DESCRIPTION	PART #	DESCRIPTION
RP-SAL-BKT-8W-RP-G1	8W ROUND POLE BRACKET - GREY	RP-SAL-BKT-8W-RP-DB	8W ROUND POLE BRACKET - DARK BRONZE
RP-SAL-BKT-8W-SP-G1	8W SQUARE POLE BRACKET - GREY	RP-SAL-BKT-8W-SP-DB	8W SQUARE POLE BRACKET - DARK BRONZE
RP-SAL-BKT-8W-TN-G1	8W TRUNNION BRACKET - GREY	RP-SAL-BKT-8W-TN-DB	8W TRUNNION BRACKET - DARK BRONZE
RP-SAL-BKT-30W-RP-G1	30W ROUND POLE BRACKET - GREY	RP-SAL-BKT-30W-RP-DB	30W ROUND POLE BRACKET - DARK BRONZE
RP-SAL-BKT-30W-SP-G1	30W SQUARE POLE BRACKET - GREY	RP-SAL-BKT-30W-SP-DB	30W SQUARE POLE BRACKET - DARK BRONZE
RP-SAL-BKT-30W-TN-G1	30W TRUNNION BRACKET - GREY	RP-SAL-BKT-30W-TN-DB	30W TRUNNION BRACKET - DARK BRONZE
RP-SAL-REMOTE-G1*	REMOTE CONTROL		
RP-SAL-BIRDBGUARD	DETERS BIRDS FROM PERCHING ON FIXTURE		

\* INCLUDED STANDARD W/ EACH FIXTURE ORDERED.



ADJUSTABLE SLIP-FITTER BRACKET (SF)  
(included w/quick ship models)



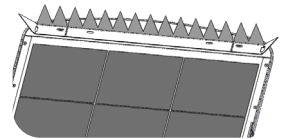
ROUND POLE BRACKET (RP)



SQUARE POLE BRACKET (SP)

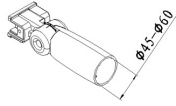
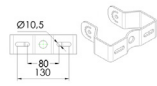
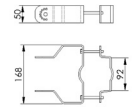
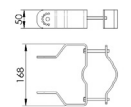
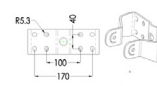
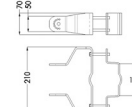
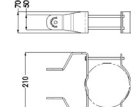


TRUNNION BRACKET (TN)



BIRD GUARD

## BRACKET GUIDE

ITEM	SLIP FITTER MOUNTING	U-TRUNNION MOUNTING	SQUARE-HOOP MOUNTING	ROUND-HOOP MOUNTING
8W SOLAR AREA LIGHT	 <p>1.77" - 2.63"</p>	 <p>1. WALL MOUNTED 2. SQUARE POLE ABOVE 3.94"</p>	 <p>1. ROUND POLE: 1.96" - 3.54" 2. SQUARE POLE: 1.96" - 3.54"</p>	 <p>1. ROUND POLE: 1.96" - 4.33"</p>
30W SOLAR AREA LIGHT		 <p>1. WALL MOUNTED 2. SQUARE POLE ABOVE 4.72"</p>	 <p>1. ROUND POLE: 2.36" - 3.94" 2. SQUARE POLE: 1.97" - 3.94"</p>	 <p>1. ROUND POLE: 1.96" - 4.72"</p>

\*NOTE - BRACKETS ARE ADJUSTABLE TO FIT ON POLES WITHIN THE DIMENSIONS SHOWN ABOVE  
EX. FIXED ARM BRACKET CAN FIT ON A POLE BETWEEN 1.77" - 2.36"